

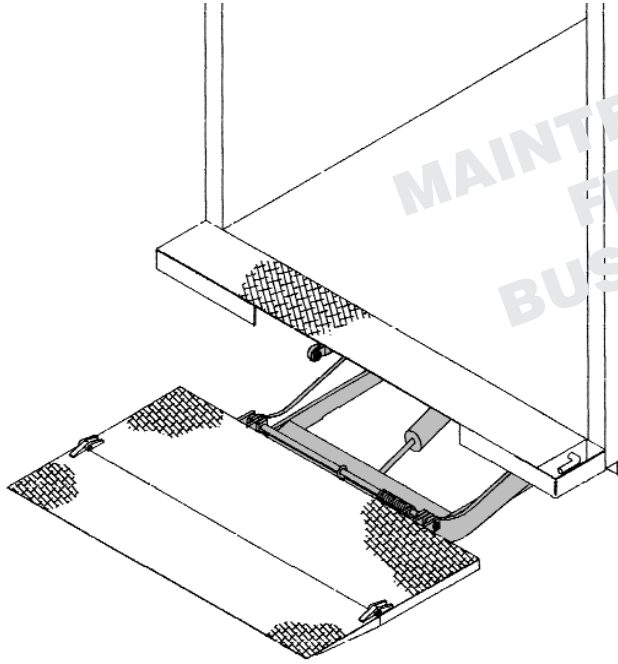
StowAway

Tailgates By **THIEMAN**

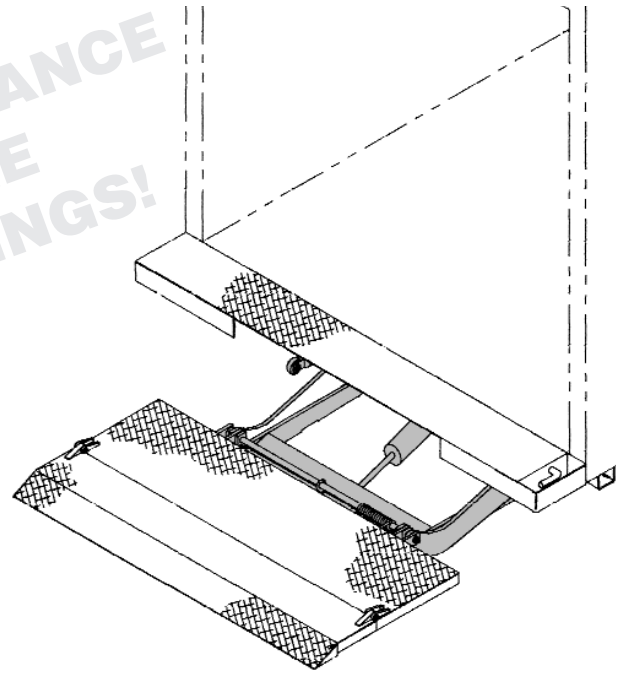
Raising Performance to New Levels

M-SERIES

Optional 42" Deep Wedge Platform



Standard 36" Deep Platform



FEATURING:

- **MAINTENANCE FREE BUSHINGS**
- **Fast and Easy Installation**
- **1,600 to 3,000 lb. Capacities**
- **Meets TMC Electrical Guidelines**
- **Snubber Kit**
- **Heavy-Duty Reinforced Spacer**
- **Pre-Mounted Pump and Cylinder**
- **Torsion Spring Assist**

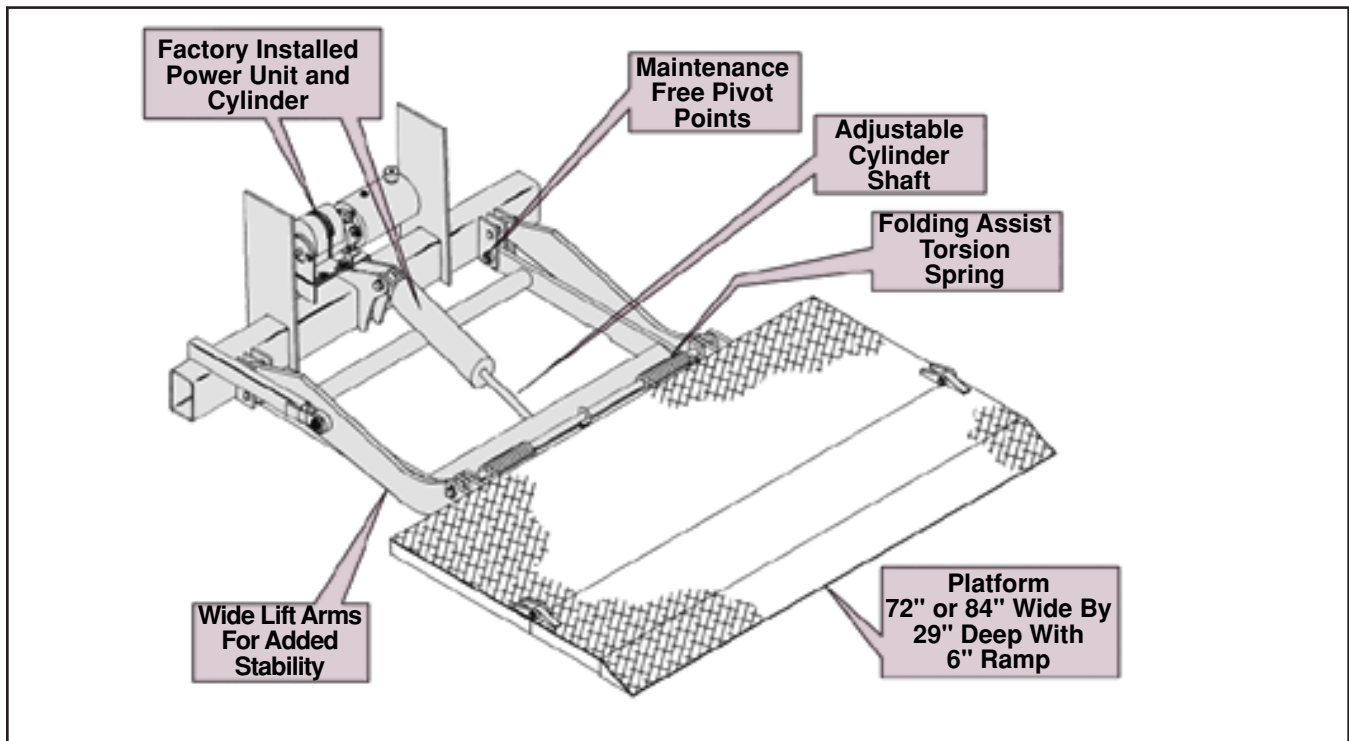
The THIEMAN M Series Stowaway is the industry standard for handling medium-duty loads.

Designed for fast and easy installation, the M16/20/25/30 includes a pre-assembled pump and cylinder. With the dual torsion spring assist, the operator can fold and unfold the platform with much less effort.

With its durable design and many standard features, the THIEMAN M Series is the choice among general purpose Stowaways.



Features, Benefits and Specifications



STANDARD FEATURES AND BENEFITS:

- Pre-Assembled Pump and Cylinder for Quick and Easy Installation.
- Maintenance Free Bushings at All Major Pivot Points.
- Tube Mounted Toggle Switch for Convenient Mounting and Protection.
- 150 Amp Circuit Breaker for Electrical Protection.
- Torsion Springs for Easy Platform Handling.
- Heavy-Duty Reinforced Spacer for Better Durability.
- Standard Snubber Kit to Prevent Wear of Liftgate While in Traveling Position.
- Meets All TMC Electrical Guidelines for Reduced Service Requirements.
- Environmentally Sealed Toggle Switch Control for Better Dependability.

AVAILABLE OPTIONS FOR M SERIES:

- | | | |
|--|---|--|
| <ul style="list-style-type: none"> • Pintle Hitch Bracket • Low Bed (34"-39") Applications • Remote Pendant Control • In-Cab Shut Off Switch | <ul style="list-style-type: none"> • Push Button Control • Heavy-Duty I-Beam Dock Bumpers • Light Kits • Trailer Kits | <ul style="list-style-type: none"> • Power Down • PTO Power Source • Rubber Dock Bumpers • Power Unit Enclosures |
|--|---|--|

Model #	Platform	Load Capacity	Approx. Install Wt.	Bed Height Range
M-16ET	72" or 84" x 36" + 6"	1600 lbs.	766 or 805 lbs.	37" to 54"
M-16ET	72" or 84" x 42" wedge	1600 lbs.	759 or 798 lbs.	45" to 54"
MLB-16ET	72" or 84" x 29" + 6"	1600 lbs.	750 or 789 lbs.	34" to 39"
M-20ET	72" or 84" x 36" + 6"	2000 lbs.	781 or 820 lbs.	37" to 54"
M-20ET	72" or 84" x 42" wedge	2000 lbs.	774 or 813 lbs.	45" to 54"
MLB-20ET	72" or 84" x 29" + 6"	2000 lbs.	765 or 804 lbs.	34" to 39"
M-25ET	72" or 84" x 36" + 6"	2500 lbs.	906 or 940 lbs.	37" to 54"
M-25ET	72" or 84" x 42" wedge	2500 lbs.	899 or 933 lbs.	45" to 54"
MLB-25ET	72" or 84" x 29" + 6"	2500 lbs.	890 or 924 lbs.	34" to 39"
M-30ET	72" or 84" x 36" + 6"	3000 lbs.	921 or 955 lbs.	37" to 54"
MLB-30ET	72" or 84" x 29" + 6"	3000 lbs.	905 or 939 lbs.	34" to 39"

Application: Van Bodies, Stake Bodies, and Trailers
ET- Electric with Toggle Switch Control/Gravity Down



www.anjeric.com
 800-326-5373
 sales@anjeric.com



Raising Performance to New Levels