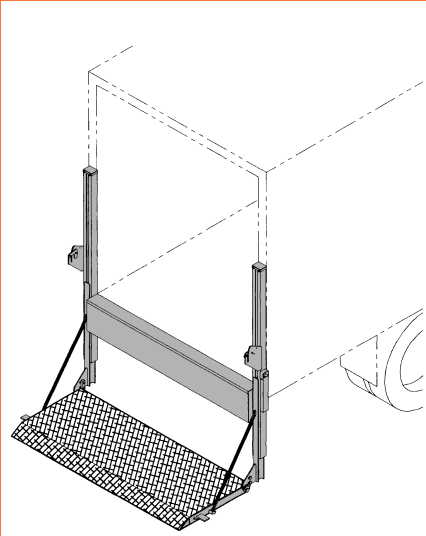


Railgates

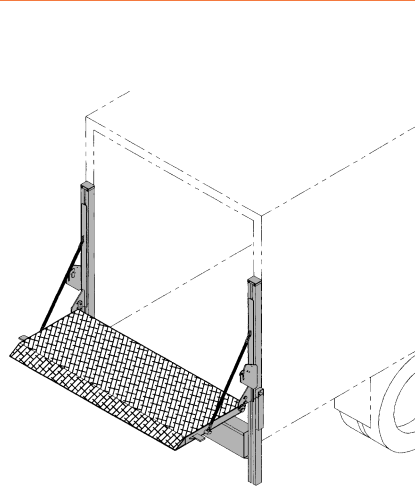
Tailgates By **THIEMAN**

Raising Performance to New Levels

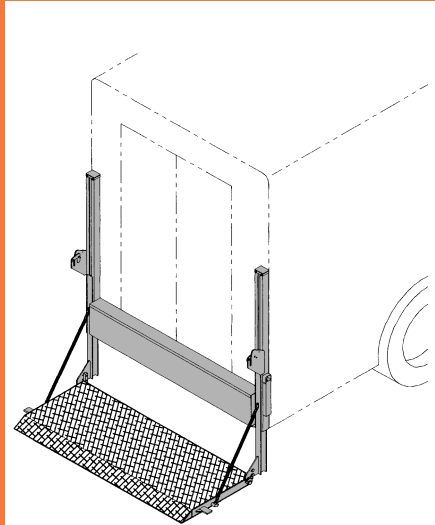
MODEL TVL



MODEL TVL-A



MODEL TVL-LB



FEATURING:

- Meets TMC Electrical Guidelines
- Fast and Easy Installation
- Fully Enclosed Pump and Cylinder
- 75" x 30" to 95" x 66" Platforms
- Steel or Aluminum Platforms and Frames
- Level Ride Platform
- Auto Safety Latch System
- 1250 to 3000 Lb. Capacities
- Torsion Assist Platform Closing

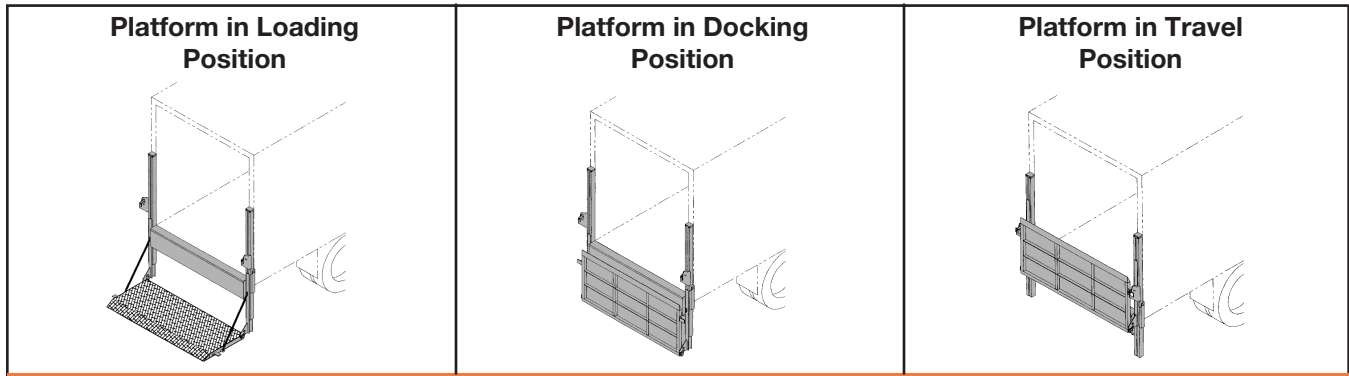
Designed for use on van and stake bodies, cutaways, and step-vans, the THIEMAN TVL railgate series is the most reliable, low-maintenance, general-purpose liftgate available in the industry.

This popular railgate has the widest range of lift capacities in its class and is available for above-bed and special low-bed applications. If overall weight is a concern, the THIEMAN all-aluminum TVL could be the answer.

With its many standard features and versatile options, the TVL series from THIEMAN continues to be the leader of the general-purpose railgates.



Features, Benefits and Specifications



STANDARD FEATURES AND BENEFITS:

- Meets All TMC Electrical Guidelines for Reduced Service Requirements
- Pre-Assembled, Self Contained Pump and Cylinder for Easy Installation and Protection from the Weather
- Automatic Safety Latch for Hands Free Disengagement of Platform Both In and Out of Stowed Position
- Low Friction Wear Pads in Slider for Smooth Operation
- Torsion Bar Assist for Easy Opening and Closing of Platform
- Pre-assembled Tube Mounted Toggle Switch for Easy Operation and Increased Reliability
- Liftgate Lowers Below Bed Height for Dock Loading
- 150 Amp Circuit Breaker for Electrical Protection

AVAILABLE OPTIONS FOR TVL SERIES:

- Above-Bed Capability
- Special Low-Bed Capability
- Remote Pendant Control
- Special Platform Sizes
- Steel, Aluminum, Expanded Metal, Bar Grate Platforms
- Bottle Gas Cage
- Light Packages
- In-Cab Shut Off Switch
- Aluminum Retention Ramp
- All-Aluminum TVL (TVL 125/16)

MODEL NO.	PLATFORM WIDTHS	PLATFORM DEPTHS	RAMP	LOAD CAPACITY	ABOVE BED RANGE	*BED HEIGHT	OVERALL WIDTH
TVL 125/16	75	30, 36, 42, 48, 54, 60, 66	5"	1250/1600	N/A	32"-46"	80
TVL 125/16	85	30, 36, 42, 48, 54, 60, 66	5"	1250/1600	N/A	32"-56"	90
TVL 125/16	90, 95	30, 36, 42, 48, 54, 60, 66	5"	1250/1600	N/A	32"-56"	95, 100
TVL 20	75	30, 36, 42, 48, 54, 60, 66	5"	2000	N/A	34"-54"	80
TVL 20	85, 90, 95	30, 36, 42, 48, 54, 60, 66	5"	2000	N/A	34"-56"	90, 95, 100
TVL 30	75	30, 36, 42, 48	5"	3000	N/A	34"-54"	80
TVL 30	85, 90, 95	30, 36, 42, 48	5"	3000	N/A	34"-56"	90, 95, 100
TVL 125A/16A	75	30, 36, 42, 48, 54, 60, 66	5"	1250/1600	16"	32"-38"	80
TVL 125A/16A	75	30, 36, 42, 48, 54, 60, 66	5"	1250/1600	15"-8"	39"-46"	80
TVL 125A/16A	85, 90, 95	30, 36, 42, 48, 54, 60, 66	5"	1250/1600	16"	32"-40"	90,95,100
TVL 125A/16A	85, 90, 95	30, 36, 42, 48, 54, 60, 66	5"	1250/1600	15"-10"	41"-46"	90,95,100
TVL 20A	75	30, 36, 42, 48, 54, 60, 66	5"	2000	16"	34"-38"	80
TVL 20A	75	30, 36, 42, 48, 54, 60, 66	5"	2000	15"-8"	39"-46"	80
TVL 20A	85, 90, 95	30, 36, 42, 48, 54, 60, 66	5"	2000	16"	34"-40"	90, 95, 100
TVL 20A	85, 90, 95	30, 36, 42, 48, 54, 60, 66	5"	2000	15"-10"	41"-46"	90, 95, 100
TVL 30A	75	30, 36, 42, 48	5"	3000	16"	34"-38"	80
TVL 30A	75	30, 36, 42, 48	5"	3000	15"-8"	39"-46"	80
TVL 30A	85, 90, 95	30, 36, 42, 48	5"	3000	16"	34"-40"	90, 95, 100
TVL 30A	85, 90, 95	30, 36, 42, 48	5"	3000	15"-10"	41"-46"	90, 95, 100
TVL125LB/16LB	75, 85, 90, 95	30, 36, 42, 48, 54, 60, 66	6"	1250/1600	16"	32"-37"	80, 90, 95, 100
TVL 20LB	75, 85, 90, 95	30, 36, 42, 48, 54, 60, 66	6"	2000	16"	34"-37"	80, 90, 95, 100
TVL 30LB	75, 85, 90, 95	30, 36, 42, 48	6"	3000	16"	34"-37"	80, 90, 95, 100

A-Above Bed LB-Low Bed

*For special bed heights contact factory.

Note: All platforms 48" and deeper are extruded aluminum with 6" ramp.

Application: Stake and van bodies, trailers



www.anjerinc.com
800-326-5373
sales@anjerinc.com



Raising Performance to New Levels